



**HI-PERFORMANCE
CUSTOM-BUILT
REARENDS**



2007 CATALOG CB-07-A \$4

Introduction

Currie custom-built rearends have set the standards in professional racing, street performance and off road competition. For decades Currie Enterprises has designed, built and installed hi-performance rearends for virtually every custom application. Every product was individually designed and assembled to meet individual customer specification, utilizing a wide selection of specialized components.

This catalog represents a small sampling of the variety of parts and components available from Currie to configure your custom rearend. Our product selection is continually being expanded. For a more comprehensive selection we recommend that you visit our website, or, contact us and a technical advisor will assist you in selecting the proper combination of elements for your custom rearend.

We at Currie Enterprises have provided a host of unique services for professional Drag, Circle Track, Off-road and Rock Crawler race teams. Beyond custom designing, building and installation, we now provide on-going race prep at various service levels. Page 4 of this catalog list some of the services currently offered, however for information contact one of our service representatives.

All, Currie-Built, skilled technicians at our factory, in Anaheim California, assemble custom rearends, frontends and driveline components. We warehouse a huge inventory of quality parts and components to assure that your order is built and shipped in the most expedient manner. We ask that you check out our website for more detailed information and current pricing and look forward to building your custom rearend.



In preparing to order, have all information on your vehicle, engine, modifications, dimensions, etc. and application along with your credit card.

Currie Enterprises series of complete rearends and frontends.

FORCE Series Basic rearend designed to replace a worn and/or obsolete stock rearend in most all 1/2 ton vehicles.

TORQUE Series Upgraded heavy duty high performance rearend for use when increasing your vehicle's horsepower level, tire size, or application in which the vehicle is used.

IMPACT Series Extreme duty unit designed for use in racing, off road, high horsepower, big tire, and other abusive applications.

Index

Gear Oil.....	3	Extreme Duty & PreRunner Housings	8
Ordering a Custom Rearend	4	Track 9® / Circle Track.....	8
Currie Services	4	RockJock® 60R I, II & III.....	9
3rd Members	5	8" Ford.....	10
Axles	5	12 Bolt GM	10
9-Plus® & Heavy Duty Housings	6	The Currie Story.....	11
Hot Rod & Aluminum Housings	7	Company Profile.....	11
		Promotional Items.....	12



FOR 4X4 AND OFF-ROAD REARENDS LOG ON TO
www.currie4x4rearends.com
 OR SEND \$4.00 FOR OUR 4X4 REAREND CATALOG

Gear Oil

9-Plus Racing Gear Oil

Specially formulated with high-shear polymers to keep a lubricating film on the gear surfaces under heavy loads. Nine-Plus Racing Gear Oil reduces friction, improves performance, reduces gear noise, decreases heat build-up and increases reliability and bearing life. Developed exclusively for use with all 9 inch rearends for use in off road and competition rear axles.

CE-9013	RACING GEAR OIL -SAE 85/140 - QUART	\$5.95
CE-9014	RACING GEAR OIL -SAE 85/140 - CASE, 12 QTS.....	\$67.95
CE-9014B	RACING GEAR OIL -SAE 85/140 - 5 GALLON PAIL	\$99.95

9-Plus Friction Modifier Additive

For use in limited-slip, posi-traction, anti-slip and traction lock rearends. Reduces hypoid gear noise and clutch chatter. Smoother, quieter operations. Extends clutch life. Add to 9-Plus Racing Gear Oil.

CE-5012	FRICTION MODIFIER - (FORD) 4 OUNCES	\$5.95
CE-5012A	FRICTION MODIFIER - (GM) 4 OUNCES	\$5.95



Use The Right Gear Oil...

To assure optimum performance and longevity of your Currie-Built Rearend, we recommend 9-Plus Gear Oil

TERMS AND CONDITIONS when ordering from CURRIE ENTERPRISES

Price, terms and policies herein supersede all previous quotations and are subject to change without notice. Cash, certified check, money order, Visa and MasterCard accepted. Company checks acceptable for approved accounts only, 50% deposit required on mail-in orders. All shipments are F.O.B. our factory. Special packaging and handling may incur additional charges. Unauthorized returns will be refused. Written or verbal return authorization must be furnished by us in advance. Authorized returns may be subject to a 15% handling charge.

WARRANTY

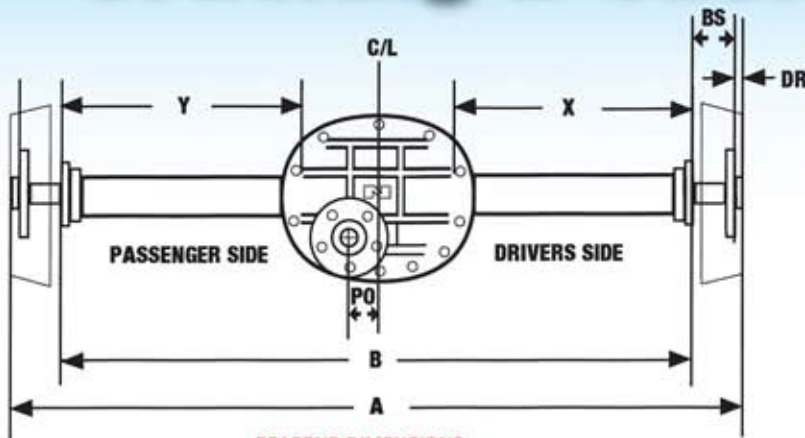
All Currie-Built Rearends are warranted to be free from defects in materials and workmanship prior to installation. Any alteration or improper use will void this warranty. Because all products which we sell are intended for use in heavy duty applications, it is not possible to warranty or guarantee the performance. Further, we disclaim any liability for action resulting from failure or parts durability. We disclaim any express or implied warranties. Our products may be subject to an infinite variety of conditions due to the manner in which they are used, serviced and/or installed. Purchasers and users of such products rely upon their own judgment as to the suitable use, selection, service and installation of such products.

This warranty is non-transferable. Currie Enterprises limit of liability under this warranty is to repair or replace the product at Currie's option. Consequential costs such as, but not limited to labor fees, loss of use, loss of time or freight charges are not covered. Any product that has been abused, altered, incorrectly installed or used in competition is not covered.

WARRANTY PROCEDURE

Contact your Currie dealer or Currie Enterprises about the problem prior to removing any part from the vehicle. If it appears that the part is warrantable, you will be given a Return Authorization (RA) Number and asked to return the part freight prepaid. If the part is found to be warrantable, it will be repaired or replaced and returned to you. All freight charges are the customer's responsibility. If a replacement part is needed before the part in question can be returned, you must first purchase the replacement part. Then, if the part in question is deemed warrantable, you will be credited / refunded.

Ordering a Custom Rearend



REAREND DIMENSIONS

- A. WHEEL TO WHEEL WIDTH (OVERALL)
- B. HOUSING END TO HOUSING END
- BS. BRAKE SPACE
- DR. DRUM OR ROTOR THICKNESS
- X. INSIDE HOUSING STUD TO OUTSIDE HOUSING END LEFT (DRIVER) SIDE
- Y. INSIDE HOUSING STUD TO OUTSIDE HOUSING END RIGHT (PASSENGER) SIDE



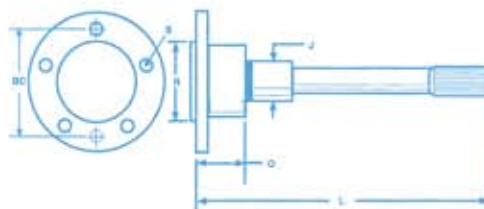
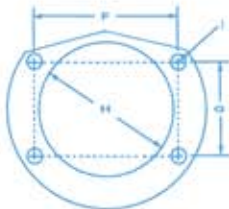
In most cases the experts at Currie Enterprises will have all the dimensions to build a replacement rearend for a standard application. When the rearend is being ordered for a specialized application, at least three dimensions, the OVERALL WIDTH (Dimension A), the PINION LOCATION and the WHEEL LUG BOLT PATTERN (Dimension BC) will need to be determined before an order can be placed. The overall width can best be determined by putting the tires under the car (make sure to allow a minimum of one inch clearance for the fender and the frame rails) and measure between the wheel-mounting surface on each wheel. The pinion location in most cases will be centered, in some cases the housing is centered (.94" pinion offset) to allow clearance for brackets on very narrow rears or to provide a proper platform for mounting upper control arm brackets for a triangulated 4-link suspension. The bolt pattern is the number of studs and the diameter of the circle on which they are placed. The bolt circle is easily measured by measuring from the center of the axle to the center of one stud and doubling the measurement. If you don't know exactly what you need it would be a good idea to get some basic information before calling. Simple details like tire diameter, horsepower, RPM range of cam, type of transmission and intended use of the vehicle will help the salesperson specify the correct components for your application.

HOUSING END DIMENSIONS

	F	G	H	I
SMALL BEARING FORD	3 ⁵ / ₁₆ "	2"	2.834	3 ³ / ₈ "
LARGE BEARING FORD	3 ¹ / ₂ "	2 ³ / ₈ "	3.150	1 ¹ / ₂ "
LATE MODEL LRG BRG OR TORINO	3 ⁹ / ₁₆ "	2"	3.150	3 ³ / ₈ "

AXLE DIMENSIONS

- BC. BOLT CIRCLE
- S. STUD HOLD DIAMETER
- R. DRUM REGISTER DIAMETER
- J. BEARING JOURNAL SIZE
- O. AXLE BRG OFFSET
- L. AXLE LENGTH
- # NUMBER OF SPLINES



Currie Services

We offer a complete line of fabrication, modification, assembly, and installation services of rearends and suspension components for street, off-road and competition vehicles. All services are provided by highly-trained Currie technicians, experienced specialists in drivetrain installation. Services are offered on an appointment only basis and all work is performed at the Currie facility in Anaheim California.

For professional, custom installation of systems, kits and components, start by calling your Currie sales representative. Discuss your specific application and provide information on your vehicle engine and modifications. Your Currie Representative will assist you in selecting the right components and make recommendations.

Make an appointment to bring your vehicle in. Please be prompt. Currie technicians will perform the ordered services. You can be assured that the quality of workmanship will be second to none.

This service is limited to products manufactured and/or distributed by Currie Enterprises. For current Service Rates contact Currie Enterprises.



- CE-0100 Labor per hour (1/2 hour minimum)
- CE-0101 Straighten axle housing
- CE-0103 Shorten axle housing, one side (butt welded)
- CE-0104 Shorten axle housing, one side (machined)
- CE-0105 Shorten axle housing, both sides (butt welded)
- CE-0106 Shorten axle housing, both sides (machined)
- CE-0106A Retube housing with 3" - .188 wall or swedged tube
- CE-0106B Retube housing with 3 1/4" - .250 wall tube "V" cut
- CE-0106C Retube housing with 3 1/4" - .188 wall tube
- CE-0107 Cut and respline single axle 30 or 45 degree
- CE-0108 Cut and respline pair of axles 30 or 45 degree
- CE-0109 Bolt pattern change on axles, studs not included (pair)
- CE-0109A Redrill rear drums or rotors (pair)
- CE-0110 Bolt pattern change 51/2" bolt circle, studs not included
- CE-0111 Rebuild third member (disassemble, hot tank, and assemble, no parts included)
- CE-0111B Set up 9" with ARB, labor only, no parts included
- CE-0112 Conversion for standard large bearing axle to work with full size Lincoln disc brake
- CE-0113 Set up ring and pinion, labor only, no parts included
- CE-0114 Rectangular tube rear housing truss
- CE-0115 Steelabrate housing, other parts on request
- CE-0116 Powder coat housing, includes: Steelabrating & prep Gloss black or semigloss black
- CE-0117 Disassemble and hot tank rearend
- CE-0117H Hot tank major components
- CE-0118 Assemble rearend (install third member and axles)
- CE-0118F Assemble full floating rear
- CE-0118S Assemble frontend with steering knuckles, hubs and brakes
- CE-0119 Shorten front housing (with gusset welded in)
- CE-0120 Remove spring pads and grind
- CE-0121 Remove and reinstall axle bearing - each - bearings not included
- CE-0122 Disassemble and diagnose third member - labor only
- CE-0124 Remove shock mounts and grind

3rd Members

Currie offers a selection of over 30,000 combinations of assemblies, options and configurations. To determine the total price of the components for your 3rd Member, log on to www.currieenterprises.com ... select **CALCULATORS**

Gear Cases

Original
9-Plus Sportsman
9-Plus Race
Currie/Strange nodular iron
Currie/Strange aluminum

Pinion Supports

Original
9-Plus Sportsman nodular iron big bearing
9-Plus Race nodular iron big bearing
Currie alloy big bearing
Strange Drag Race aluminum

Yokes

1310 short 9-Plus nodular iron
1310 short billet aluminum
1330 short 9-Plus nodular iron
1330 long - good used
1350 short 9-Plus nodular iron
1350 billet steel
Coupler - Drag Race

Carriers

Spline	28	31	33	35	40
Open	x	x			
T.S.D.	x	x			
Traction Lock	x	x			
TrueTrac	x	x			
Diamond Trac	x	x			
Platinum Trac	x	x			
Detroit Locker	x	x		x	
ARB Air Locker	x	x		x	
Spool	x	x	x	x	x

Gears

Good Used Gears

2.50
2.75

Street & Performance Gears

3.00	3.25	3.50
3.55	3.70	3.89
4.11	4.30	4.56
4.71	4.86	5.00
5.14	5.29	5.43
5.67	5.83	6.00
6.20	6.33	6.50

Pro Gears

4.11 BP	4.29 SP	4.29 BP
4.57 SP	4.57 BP	4.86 SP
4.86 BP	5.00 SP	5.14 SP
5.14 BP	5.29 SP	5.43 SP
5.67 SP	5.83 SP	6.00 SP
6.20 SP	6.33 SP	6.50 SP

Light Weight Racing Gears

3.64	3.75	4.30
4.42	4.57	4.71
4.84	4.86	5.00
5.14	5.25	5.29
5.37	5.43	5.50
5.57	5.67	5.83
6.00	6.14	6.20
6.33	6.50	6.66
6.83	7.00	7.16
7.33		

POPULAR 3rd MEMBER APPLICATIONS

The Standard Street package... is ideal for hi-performance street application for engines up to 450 hp.

This complete 3rd member assembly includes: 3.25 Gear Ratio... 28 Spline with a Open Carrier and Original Case. The Pinion Support is Original design and this unit has a 1330 - Long Yoke. Fully assembled by Currie® professional builders... ready to install!



325S280DOOD
Standard Street
Application.....\$699.65

Hi-Performance 3rd Member is built for modified cars and race cars over 450 hp.

The package is assembled with the following components: Nodular Iron, 9+Plus Race Gear Case, Forged Aluminum Pinion Support... 1350 Series Yoke, 4:11 Gears and 31 Spline Detroit® Locker. Fully assembled ready for installation!



411S31DLRCF Hi-Performance and Race Application.....\$1,627.65

Ultra-performance Third Member for hot rods, kit cars and show cars where appearance is as important as performance. Here is a complete package, custom-built to your specifications. The example shown here includes: 3:50 'Street' Gears... with 31 Spline TruTrac Carrier, Polished and Alloy Case, Polished Alloy Pinion Support, 1330L Yoke. Fully assembled ready to install.



350S31TTACD
Show Car Application\$1,744.65

Axles

For complete listings of Axles log on to www.currie-rearends.com or contact Currie Custom-Built Rearends Division (714) 367-2233

Currie Performance Axle Packages 30, 31, 33, or 35 spline - with bearings, seals, heavy duty retainer plates, & wheel studs **CE-0012** \$449.95 pr.

Currie Standard Axle Packages 28 spline - with bearings, seals, heavy duty retainer plates, & wheel studs **CE-0016**\$399.95 pr.

Extreme Duty Axles 35 & 40 Spline Drag Race - bare axles only, fully machined & splined, choose other components separately **CE-1014P**\$349.95 pr.

Currie CUT-TO-FIT Axles. Eliminate the hassle and expense of ordering and stocking axles for every model. CUT TO FIT (CTF) Axles fits all muscle cars. These are hi-performance 1541 forged induction heat-treated alloy. The secret is Currie's exclusive "long spline" design and multi-pattern ends. Each 31-spline axle provides 4" of spline and up to 3" may be cut off. Fabrication shops can now custom-cut each axle for precision fit. Then simply press in studs in the proper bolt pattern. Both 5 on 4 1/2" Ford and 5 on 4 3/4" Chevy wheel bolt patterns are provided on these axles. All CTF axles use standardized-shank Currie Enterprises wheel studs that allow the following wheel studs to be interchangeable in the axles, without drilling: 12mm, 7/16, 1/2, and 1/2 x 3" competition. CTF Axles are ABCS (Aftermarket Brake Configuration Standard) compatible. This allows brake kits that use this standard, to easily be changed or upgraded without having to modify the housing or axles. ABCS axles and brakes use a 2.5" brake space with late-model big ford housing ends, and a 2.80 center register hub and hole in the drum or rotor. Each axle includes: Large tapered roller bearing with seal, Heavy Duty Retainer Plate, 1 set of 1/2" and 1 set of 7/16" wheel studs.

CE-98126 26" long axle shaft with 4" of spline\$199.95 ea.
CE-98129 29" long axle shaft with 4" of spline\$199.95 ea.
CE-98132 32" long axle shaft with 4" of spline\$199.95 ea.
CE-98135 35" long axle shaft with 4" of spline\$199.95 ea.



9-Plus & Heavy Duty Housing

The Currie 9" Ford rearend line includes a vast amount of available optional equipment as far as housings, axle sizes and types, drum and disc brakes, gear ratios, carriers, etc. to ensure a rearend that suites your needs perfectly. Your custom rearend may be built up with basically any of the components offered through Currie. Below are 3 sample rearend build ups to show what can be done and to give a range of pricing. Options can be added or subtracted to any of the shown stages to get exactly the frontend you need for your application. For more information on Currie 9" Ford rearends and all of our optional equipment log on to www.currie-rearends.com

Currie builds 9" Ford rearends to meet customer specifications. A wide variety of components, parts, and options are available to meet every customer application and produce a superior quality, custom built product. The examples listed in this section provide a sampling of the various assemblies available. For a complete list of options log on to www.currie-rearends.com. For technical questions and to order, contact Currie at (714) 367-2233.

Heavy Duty 9" Ford® housing, 31 spline performance large bearing axles, 11" drum brake kit, 3rd. member with factory gear case, pinion support, and yoke, T.S.D. limited slip differential, gear ratio of your choice, fully assembled. **Price with options listed above \$2189.45**



As shown:

- Heavy duty 9" housing
- Forged 31 spline axles
- 11" Explorer® disc brake kit w/ hose kit
- T.S.D.® 3rd. member with choice of gears
- Leaf spring pads mounted
- Fully assembled

Price with options listed above.....\$2389.30

100% new 9-Plus heavy duty housing, 31 spline performance large bearing axles, 11" Explorer disc brake kit, 3rd. member with 9-Plus® Sportsman gear case, 9-Plus® Race big bearing pinion support, and 9-Plus® nodular yoke, Detroit True-Trac differential, and gear ratio of your choice, GM Multi or Mono leaf spring pads mounted, and fully assembled. **Price with options listed above:\$2954.00**



As shown:

- 9-Plus® new heavy duty 9" housing
- Forged 31 spline axles
- 11" Drum Brake kit
- 9-Plus® nodular race 3rd. member with 1350 yoke, 35 spline spool, and choice of gears
- GM A or G body suspension brackets mounted
- Fully assembled

Price with options listed above.....\$2806.09

9-Plus Heavy Duty: Includes the 100% new 9-Plus® heavy duty housing with new 3" tubes, and 9-Plus® new late model large bearing housing ends, 35 spline performance axle package, 12 1/2" Wilwood® disc brake kit with 4 piston calipers and internal drum parking brake, 3rd. member with 9-Plus® Race nodular iron gear case, 9-Plus® Race nodular iron big bearing pinion support, and 9-Plus® nodular iron 1350 yoke, 35 spline Detroit locker differential, and gear ratio of your choice, GM mono or multi leaf spring pad's mounted and fully assembled. **Price with options listed above:\$3339.04**



As shown:

- 9-Plus® new heavy duty 9" housing
- Forged alloy 35 spline large bearing axles with ABS tone rings
- Custom caliper brackets to retain factory disc brakes and ABS
- 9-Plus® Race nodular iron 3rd. member with alloy pinion support, 1350 9-Plus® yoke, gears of your choice and 35 spline Detroit Locker®
- '05-'07 Mustang suspension brackets mounted
- Fully assembled

Price with options listed above.....\$3106.49

(control arms sold separately, rotors & calipers retained off of stock vehicle.)

Ford® is a registered trademark of the Ford motor Company

Ordering your custom rearend



1. Outline your specifications, make a list - Check out and select options from this catalog and by logging on to our website.

Hot Rod & Aluminum Housing

The Currie 9" Ford rearend line includes a vast amount of available optional equipment as far as housings, axle sizes and types, drum and disc brakes, gear ratios, carriers, etc. to ensure a rearend that suites your needs perfectly. Your custom rearend may be built up with basically any of the components offered through Currie. Below are 3 sample rearend build ups to show what can be done and to give a range of pricing. Options can be added or subtracted to any of the shown stages to get exactly the frontend you need for your application. For more information on Currie 9" Ford rearends and all of our optional equipment log on to www.currie-rearends.com

Currie builds 9" Ford rearends to meet customer specifications. A wide variety of components, parts, and options are available to meet every customer application and produce a superior quality, custom built product. The examples listed in this section provide a sampling of the various assemblies available. For a complete list of options log on to www.currie-rearends.com. For technical questions and to order, contact Currie at (714) 367-2233.

100% new Hot Rod housing, 28 spline large bearing axle package, 11" drum brake kit, 3rd. member with factory gear case, pinion support, and 1330 yoke, open differential, choice of gear ratio, and full assembly. **Price with options listed above:.....\$1949.45**

FORCE Series

As shown

- 9-Plus® Hot Rod housing built to customer specs.
- 28 spline performance axle package

Price with options listed above.....\$799.90



100% new Hot Rod housing, 31 spline performance axle package, 11" Explorer® disc brake kit, 3rd. member with the original Ford gear case, alloy big bearing pinion support, 1330 yoke, T.S.D.® limited slip, your choice of gear ratio, and full assembly. **Price with options listed above:.....\$2497.45**

As shown

- 9-Plus® Hot Rod housing built to customer specs.
- 31 spline performance axle package
- 11" drum brake kit
- 3rd. member with 9-Plus® Sportsman nodular iron gear case, 9-Plus® Race nodular iron big bearing pinion support, Detroit TrueTrac® worm gear style posi unit, and gears of your choice
- Full unit assembly

Price with options listed above:.....\$2686.10

TORQUE Series



206T6 polished aluminum 9" housing with steel tubes, and large bearing housing ends, 31 spline performance axle package, Wilwood® disc brake kit with drum parking brake and polished 4 piston calipers, 3rd. member with polished aluminum gear case, polished alloy pinion support, Detroit TrueTrac differential, gear ratio of your choice, polished billet aluminum yoke, and full assembly. **Price with options listed above:.....\$4000.40**

As shown

- Polished aluminum housing
- 28 spline axle package
- 12 1/2" Wilwood® disc brake kit with e-brake & polished calipers
- 3rd. member with factory gear case, pinion support, and 1330 yoke, open differential, choice of gear ratio
- Leaf spring pads mounted
- Full unit assembly

Price with options listed above:.....\$2808.30

TORQUE Series



2. Placing your Order - Contact our tech/sales department. An experienced representative will ask questions about your vehicle application to assure you are selecting the right combination of components for your application.



Ordering your custom rearend

Extreme Duty & Prerunner Housings

The Currie 9" Ford rearend line includes a vast amount of available optional equipment as far as housings, axle sizes and types, drum and disc brakes, gear ratios, carriers, etc. to ensure a rearend that suites your needs perfectly. Your custom rearend may be built up with basically any of the components offered through Currie. Below are sample rearend build ups to show what can be done and to give a range of pricing. Options can be added or subtracted to any of the shown stages to get exactly the rearend you need for your application. For more information on Currie 9" Ford rearends and all of our optional equipment log on to www.currie-rearends.com

Currie builds 9" Ford Truck and Circle Track rearends to meet customer specifications. A wide variety of components, parts, options are available to meet every customer application and produce a superior quality, application specific, custom built product. The examples listed in this section provide a sampling of the various assemblies available. For a complete list of options log on to www.currie-rearends.com. For technical questions and to order, contact Currie at (714) 367-2233.

Extra Heavy Duty housing with 3 1/4" x .250" wall tubes, 31 spline large bearing Performance axles, 11" drum brakes, 3rd. member with 9-Plus Sportsman nodular gear case, 9-Plus Race nodular big bearing pinion support, 9-Plus nodular 1350 yoke, 9-Plus nodular Trac-Lock differential, gears of your choice, leaf spring pads mounted, and fully assembled. Price with options listed above:.....\$2599.04



TORQUE Series

As shown

- Extreme duty housing with back brace
- 35 spline Performance axle package with 5/8" studs
- 11" Explorer® disc brake kit
- 3rd. member with 9-Plus® nodular Race gear case, alloy big bearing pinion support, 1350 billet yoke, light weight spool, and choice of gear ratio
- Full unit assembly

Price with options listed above:.....\$3106.95



IMPACT Series

As shown

- PreRunner II housing with 9-Plus® center, 3 1/2" chrome moly tubes, sleeved with 3" D.O.M. tubes, internal tube gussets, mini-brace, and 9-Plus large bearing housing ends.
- Spring pads mounted
- 35 spline Performance axle package with 5/8" studs
- 11" Explorer® disc brake kit
- 3rd. member with 9-Plus® nodular Race gear case and pinion support, 1350 yoke, 35 Detroit Locker®, and choice of gear ratio
- Full unit assembly

Price with options listed Above:.....\$3555.49

Prerunner I housing with Track 9 chrome moly center, 3 1/2" x .250" wall 4340 chrome moly tubes, floater spindle snouts, tubes are internally gusseted inside the housing center and sleeved to the center with 3" x .188" wall chrome moly tubes, and mini-brace installed, 35 spline floating axle kit with billet hubs and drive flanges, 4340 chrome moly axle shafts, 12 1/2" vented rotor Wilwood disc brakes with 4 piston billet calipers, 3rd. member with 9-Plus Race nodular gear case, 9-Plus Race nodular big bearing pinion support, 1350 yoke, gears of your choice, 35 spline lightweight steel spool, and full assembly of the unit.

Price with options listed above:.....\$5674.29

Track 9/Circle Track

9-Plus heavy duty housing with late model large bearing 9" style housing ends, 31 spline Performance axle package, 11" drum brakes, 3rd. member with the original Ford gear case, pinion support, and 1330 yoke, 31 spline light weight spool, your choice of gear ratio, GM mono or multi leaf spring pads mounted, and full assembly of the unit.

Price with options listed above:.....\$2267.35



TORQUE Series

As shown

- Track 9® Competition Lite housing with customer floater spindles installed
- 31 spline floater axles
- Caliper brackets welded on for your choice of brakes
- 3rd. member with light weight nodular gear case, light weight nodular big bearing pinion support, 1330 nodular yoke, Detroit Locker®, and choice of gear ratio
- Full unit assembly

Price with options listed above:.....\$2988.45

Track 9® Max-Lite housing, 3" tubes, and floater spindles, 31 spline 4340 chrome moly floater axles, billet steel floater hubs with Currie billet aluminum drive flange caps, 12 1/2" Wilwood® disc brakes with vented rotors, 4 piston calipers, and Currie caliper brackets, 3rd. member with 19 lb. nodular iron light weight gear case, 6 lb. machined light weight nodular iron pinion support, 1 lb. billet aluminum yoke, 8.6 lb. 31 spline aluminum ratchet differential, your choice of gear ratio with light weight racing style ring and pinion, and full assembly of the unit. Price with options listed above:.....\$4590.55

Ordering your custom rearend



3. Processing your order- Includes fabrication of the housing, installation of brackets, machining of the axle shafts, and gear and carrier set up.

RockJock® 60R I, II, & III

The RockJock® rearend line includes 3 different grades of housings to suite your needs. The RockJock® I is our premium 206T6 aluminum housing for the weight conscious Rock Crawler, or those looking for something super trick. The RockJock® II is a ductile iron casting for heavy vehicle and larger tire applications. The RockJock® III is our high strength nodular iron off shore casting for those looking for superior strength in an economic package. We offer a vast amount of available optional equipment as far as axles, brakes, gear ratios, carriers, etc. to ensure a RockJock® rearend that suites your needs perfectly. Your custom rearend may be built up with basically any of the components offered through Currie. Below are 3 sample rearend build ups to show what can be done and to give a range of pricing. Options can be added or subtracted to any of the shown stages to get exactly the RockJock® rearend you need for your application. For more information on RockJock® rearends and all of our optional equipment log on to www.currie4x4rearends.com

Currie builds RockJock® rearends to meet customer specifications. A wide variety of components, parts, and options are available to meet every customer application and produce a superior quality, custom built product. The examples listed in this section provide a sampling of the various assemblies available. For a complete list of options log on to www.currie4x4rearends.com. For technical questions and to order, contact Currie at (714) 367-2233.

RockJock® III iron housing, 35 spline performance axle package, 11" drum brakes, Detroit True-Trac® differential, your choice of gear ratio and yoke, heavy duty steel cover, leaf spring pads mounted, fully set up and assembled.

Price with options listed above:.....\$3123.35

As shown

- RockJock® I aluminum housing with 3" tubes and 9" large bearing style housing ends.
- Heavy duty cast aluminum cover.
- 35 spline performance axle package.

Price with options listed above:..\$1919.85



RockJock® II iron housing, 35 spline performance axle package, 12 1/2" Wilwood® disc brakes with drum parking brake, Detroit Locker® differential, your choice of gear ratio and yoke, heavy duty steel cover, Jeep TJ rear suspension brackets mounted, fully set up and assembled.

Price with options listed above:.....\$4375.45

As shown

- RockJock® I aluminum housing
- Heavy duty cast aluminum cover.
- 35 spline performance axle package.
- 11" Explorer disc brakes
- Caliper flex hose kit
- Jeep TJ rear brackets mounted
- Choice of gears
- Detroit TrueTrac® Differential
- Full set up and assembly

Price with options listed above: \$4087.40

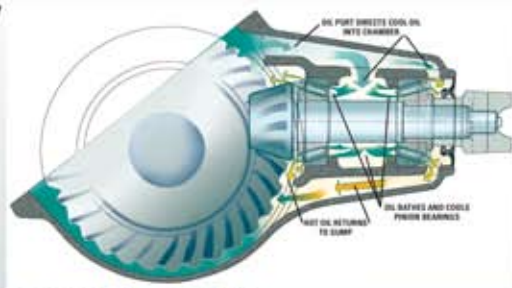


RockJock® I 206T6 aluminum housing with 1 ton unit bearing floater style housing ends, triangulated rear suspension brackets for Jeep TJ mounted, 35 spline 4340 chrome moly full floater style axles, Warn® 1 ton manual locking hubs, 12 1/2" Wilwood® disc brake kit with 4 piston billet calipers, 4.56R gears, ARB Air Locker® differential, fully set up and assembled.

Price with options listed above:.....\$5841.50



IMPACT Series



4. Assembling your custom rearend – All components; housing, gear components, axles and brakes are pulled from inventory and installed by Currie factory-trained experts.



Ordering your custom rearend

8" Ford®

The Currie 8" Ford and 12 GM rearend lines includes a vast amount of available optional equipment as far as housings, axle sizes and types, drum and disc brakes, gear ratios, carriers, etc. to ensure a rearend that suites your needs perfectly. Your custom rearend may be built up with basically any of the components offered through Currie. Below are sample rearend build ups to show what can be done and to give a range of pricing. Options can be added or subtracted to any of the shown stages to get exactly the rearend you need for your application. For more information on Currie 8" Ford and 12 bolt rearends and all of our optional equipment log on to www.currie-rearends.com

Currie builds 8" Ford and GM 12 bolt rearends to meet customer specifications. A wide variety of components, parts, options are available to meet every customer application and produce a superior quality, application specific, custom built product. The examples listed in this section provide a sampling of the various assemblies available. For a complete list of options log on to www.currie-rearends.com. For technical questions and to order, contact Currie at (714) 367-2233.

8" Ford® housing, 28 spline small bearing axle package, 10" drum brakes, 3rd. member with factory gear case, pinion support, and yoke, open carrier, gear ratio of your choice, and full assembly. Sample 1 Price.....\$1634.50



FORCE Series

As shown:

- 8" Ford housing with 3" tubes and large bearing housing ends.
 - 28 spline large bearing axle package
- Price with options listed above:.....\$699.90**

8" Ford® rearend includes housing upgraded to 3" tubes, 28 spline large bearing axle package, 11" Explorer disc brake kit, 3rd. member with the Currie Alumin8® aluminum gear case and alloy big bearing pinion support, Detroit TrueTrac® differential, gear ratio of your choice, standard yoke, and full assembly of the unit. Sample 3 Price.....\$2814.50



TORQUE Series

As shown:

- 8" Ford housing with 3" tubes and large bearing housing ends.
 - 28 spline large bearing axle package
 - 11 5/8" Cobra® disc brake kit
 - 3rd. member with factory gear case, pinion support, and yoke, gears of your choice and T.S.D.® limited slip differential.
 - Full unit assembly.
- Price with options listed above:.....\$2234.50**

12 Bolt GM

12 bolt GM® housing with new 3" tubes, and large bearing 9" Ford style housing ends, 30 spline Performance axle package, complete 11" drum brake kit, GM mono or multi leaf spring pads mouned, gear ratio of your choice, Eaton® posi traction unit, fully set up and assembled. Sample 1 Price.....\$2475.50



TORQUE Series

As shown:

- 12 Bolt GM housing with 3" tubes and large bearing 9" housing ends.
 - Heavy duty aluminum cover
 - 30 or 33 spline large bearing axle package
- Price with options listed above:.....\$1199.85**

New 12 bolt GM® housing with large bearing 9" Ford style housing ends, GM A or G body suspension brackets mounted, heavy-duty aluminum cover, 33 spline Performance axle package, 12 1/2" Wilwood® disc brake kit with drum style parking brake, gear ratio of your choice, 33 spline Eaton® posi unit, fully set up and assembled. Sample 2 Price.....\$3432.55



IMPACT Series

As shown:

- 100% new 12 Bolt GM housing with GM A or G body suspension brackets mounted and large bearing 9" housing ends.
 - 30 spline large bearing axle package
 - 11" Explorer disc brakes with flex hoses
 - Detroit TrueTrac® posi traction unit
 - Choice of gears
 - Full set up and assembly
- Price with options listed above:.....\$2824.55**

Ordering your custom rearend



5. Shipping your custom rearend - The completed unit is thoroughly inspected by our quality control specialists, then palletized, boxed, and shipped to you by common freight carrier.

Ford® is a registered trademark of the Ford motor Company
GM® is a registered trademark of General Motors

The CURRIE Story

Frank Currie began designing and building differentials for material handling equipment back in 1959. He worked out of his garage fabricating and assembling rearends for personnel carriers, electric carts, tugs, scissor lifts and other specialty vehicles. By 1964 the Currie manufacturing facility moved to a 5,000 square foot building in Placentia, CA. Frank's four sons Charles, John, Raymond and David entered the family business full-time in the late 1970's. They also decided to turn their off-road hobby into a family business and began developing superior aftermarket rearends for Jeeps.



In the late '70's the Currie's began building performance rearends for V8 conversions in Chevy Vega's, and mini trucks like the Chevy Luv, Ford Courier, and Toyota Hi-Lux models. Currie Enterprises hooked up with chassis shops in the early 1980's and designed and produced 9" rearends (based on the Ford 9") for kit cars and street rods. Popularity of the Currie Rearend grew and the enterprise expanded to a larger 7,000 sq. ft facility. In 1984 the Currie product line expanded and they moved to an 11,000 sq. ft. plant, which included state-of-the art cleaning and tear down capabilities for rearends.

The DANA 60 and Chevy 12-Bolt were incorporated into the Currie Product line in 1986. Other products such as gear cases, alloy axles, and disc brakes were also added, in addition to expanded in-house capabilities. At this point, Currie offered a full line of driveline performance products including rearends, components, suspension and off-road Jeep items.

Today Currie Enterprises occupies a 32,000 square foot complex in East Anaheim California. The company continues to grow in size and product line. They now have nearly 50 employees and boasts a state-of-the-art manufacturing facility. The Curries design, build, modify, test, sell and install rearend and drive-train products all under one roof. From humble beginnings and a dream of Frank and Evelyn, Currie has become the most recognized name in specialty rearends and components.

Company Profile

Currie Enterprises is a California based corporation comprised of five separate divisions.

CUSTOM-BUILT REARENDS

Originally Currie had been known as "The Rearend Guys", designing and building custom rearends for a variety of specialty applications. Today, Currie continues to build rearends for custom street, competition and extreme off-road applications. Currie offers an extensive line of gearing, components and parts to meet the requirements and specifications of any vehicle fabricator.
www.currieenterprises.com THE CURRIE CUSTOM-BUILT CATALOG \$4.00



9-PLUS, BRAND-NEW 9" REAREND COMPONENTS

In 2001, Currie introduced the 9+ components product line. This division was established as a separate marketing effort from Currie. The successful concept has many rearend builders taking advantage of the 9-Plus program.
www.new9inch.com DEALERS AND REAREND SHOPS CONTACT 9-PLUS PRODUCT INFORMATION



NINE-PLUS

ROCKJOCK4X4 PRODUCTS.

Over the years Currie Enterprises has evolved and expanded into new markets. Currie began developing off-road and Jeep product lines which have been and are still used by professional Rock Crawler Teams and Jeepspeed competitors. These parts & accessories are designed for Jeep JK-TJ-CJ-YJ & XJ and include; Antirock®, Johnny Joint®, Currectlync® and RockJock® exclusive products.
www.rockjock4x4.com CURRIE OFF-ROAD PRODUCTS & ACCESSORIES CATALOG \$4.00

ROCK JOCK®

CURRIE 4X4 REARENDS

Currie Enterprises offers a complete line of rearend and frontend assemblies, options and components developed by Currie for Jeep and offroad vehicles. Products like RockJock™, Currie Hi-Pinion, Dana 44 and 60 have been used by professional Rock Crawler Teams and Jeepspeed competitors. These same products are available to all Jeep owners.
www.currie4x4rearends.com CURRIE 4X4 REARENDS CATALOG \$4.00



CURRIE-BUILT "CRATE" REARENDS

Currie recognized a pattern in their custom rearend orders; the majority of these special orders were for common applications. After considerable research, Currie assembled a line of pre-built, ready to bolt in, rearends for these applications. The Currie-Built "Crate Rearend" products offer the features of a custom-built assembly with the price advantage and availability of an off-the-shelf product.
www.crate-rearends.com CURRIE-BUILT CRATE REARENDS CATALOG \$4.00



Promotional items



Tire Deflator

The ultimate tire deflation device! With this unit you can quickly deflate tires to low pressures regardless of their size and monitor the pressure. To deflate, simply screw on to valve stem cap threads, then a sliding screwdriver tool removes the valve core and holds it in the unit while a sliding collar opens and closes a valve to release air pressure. When the valve is closed, the gauge reads current tire pressure. When the desired pressure is attained, the valve core is reinstalled and the Tire Deflator is removed from the valve stem.

CE-9029E

EZ-TIRE DEFLATOR \$29.95

Currie T Shirts

Wear a famous Currie T-Shirt. These high-quality T's are made of a cotton blend in white and features an original design in full color. These T's are available in Medium, Large, Extra-Large and XXL sizes. Check our website for the latest designs and prices. *

Currie Cap

The famous Currie hat that is worn by the Currie team in competition. It is 100% cotton gabardine material with an adjustable band to fit all size heads. The Currie Logo is embroidered in red and white. Colors and combinations may vary.

CE-9010

RockJock T Shirts

New from Currie's RJ division! Quality T's are available in gray 0, black and red and made of a cotton blend. Specify Medium, Large, Extra-Large and XXL sizes. Check our website for more information and prices.*

Currie Decals

Quality vinyl decals feature the Currie logo and come in two sizes.

CE-9012D Large (4" x 8") Currie Sticker \$2.00

CE-9012C Small (2 1/2" x 4 1/2") Currie Sticker \$0.50

* For the latest styles and current prices, log on...

www.currieenterprises.com



1480 N. Tustin Ave,
Anaheim, CA 92807